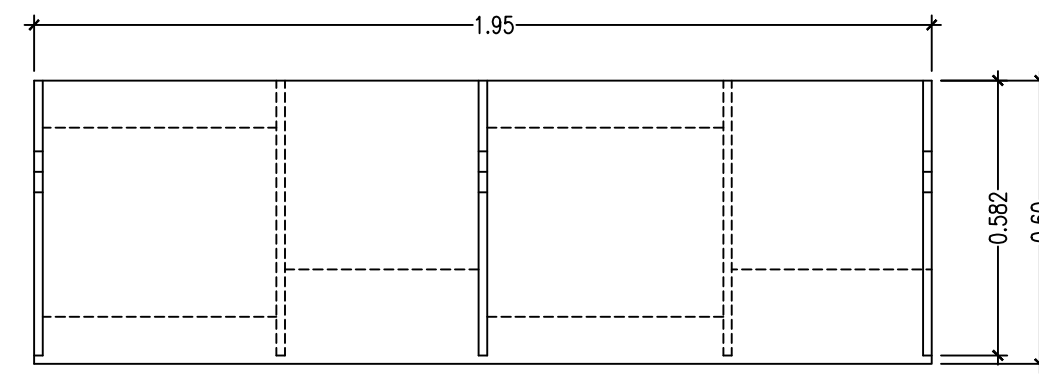
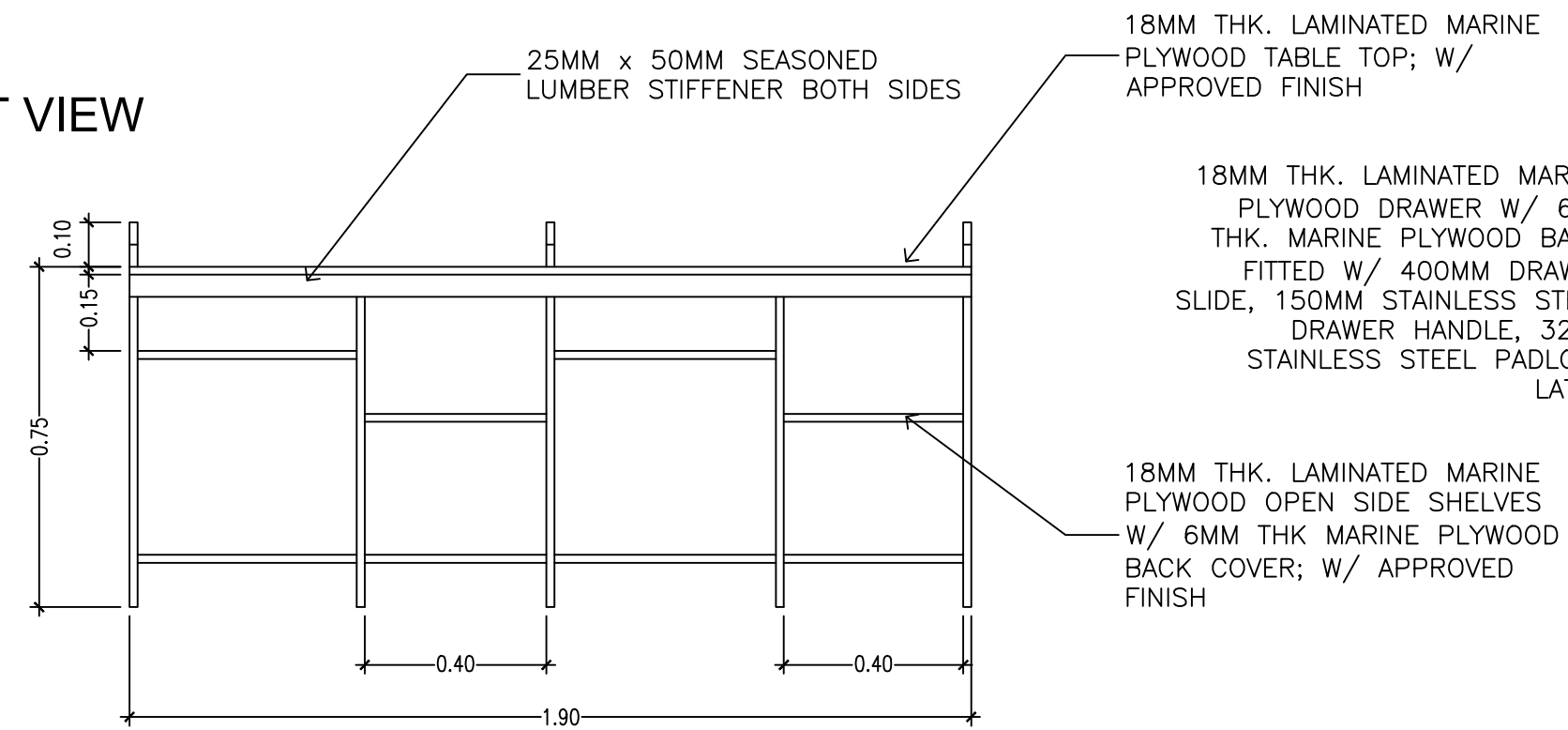


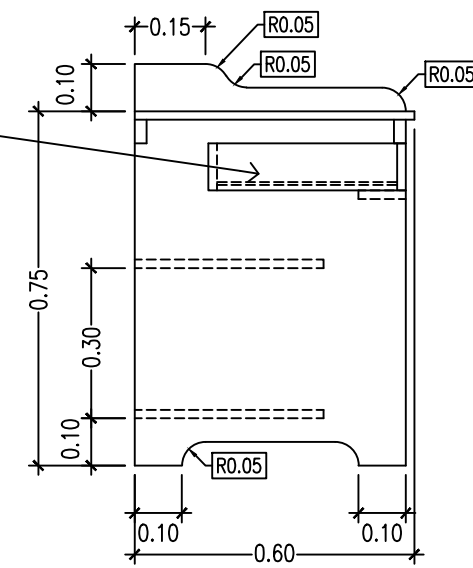
TOP VIEW



FRONT VIEW

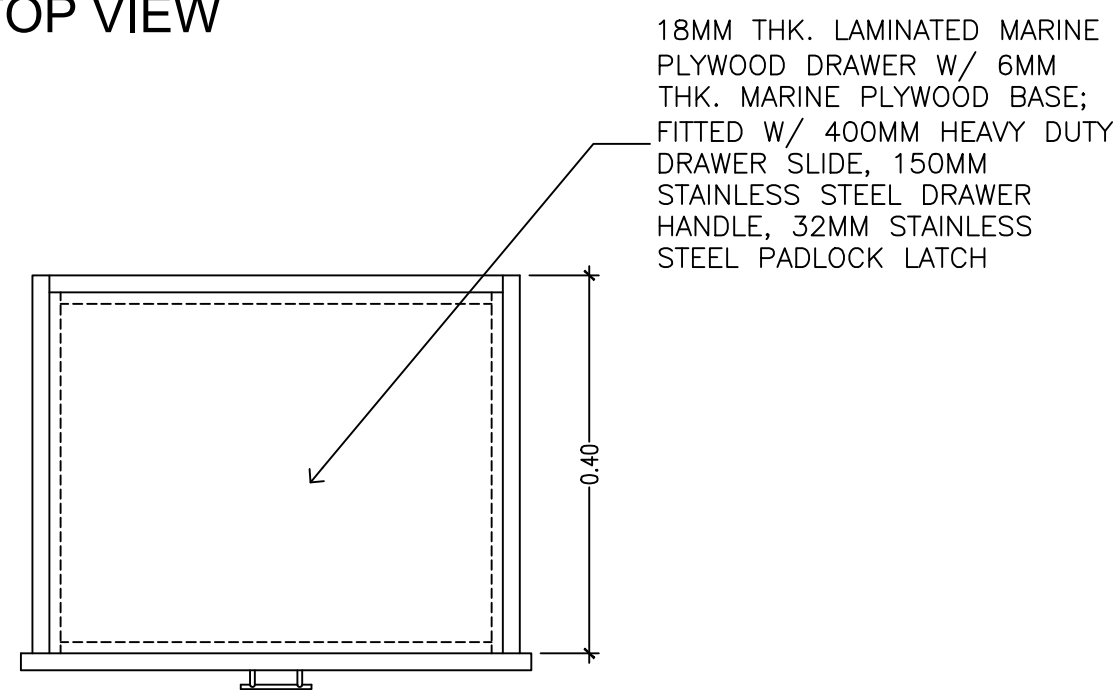


SIDE VIEW

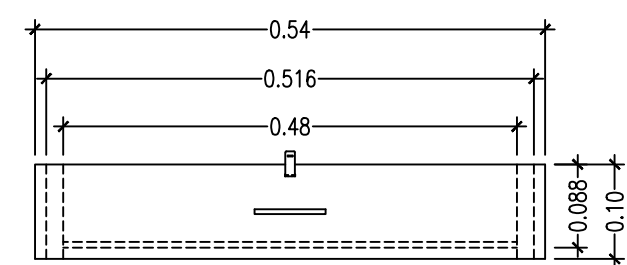


1 FABRICATION OF STUDY TABLE
DRAWN NOT TO SCALE

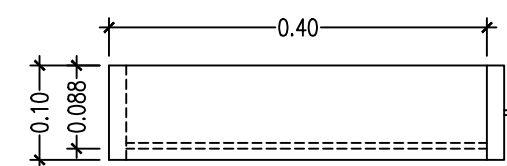
TOP VIEW



FRONT VIEW



SIDE VIEW



2 DETAILS OF TABLE DRAWER
DRAWN NOT TO SCALE

FOR BIDDING		SHEET CONTENTS	SCALE AS_SHOWN	SHEET
		STUDY TABLE DESIGN FOR GRHM		7
DRAWN	DESIGNED	THESE DRAWINGS ARE INSTRUMENTS OF PROFESSIONAL ARCHITECTURAL SERVICE AND ARE NOT TO BE REPRODUCED OR USED EXCEPT BY WRITTEN AGREEMENT WITH THE ARCHITECT. (R.A. 9266)		
CHECKED	DATE 10MAY2019			A 27

PROFESSIONAL	PROJECT/LOCATION	OWNER	APPROVED BY:	REVISION	DATE	SHEET CONTENTS	SCALE AS_SHOWN	SHEET
ARCHITECT/ENGINEER	REHABILITATION OF SCHOOL BUILDINGS	Department of Science and Technology PHILIPPINE SCIENCE HIGH SCHOOL MAIN CAMPUS	LAWRENCE V. MADRIAGA, PhD	ORIGINAL	20190510	STUDY TABLE DESIGN FOR GRHM		7
PRC NO.:	PTR:	Agham Road, Diliman, Quezon City	Director, PSHS – MAIN CAMPUS					A 27
VALID UNTIL:	DATE/PLACE:							