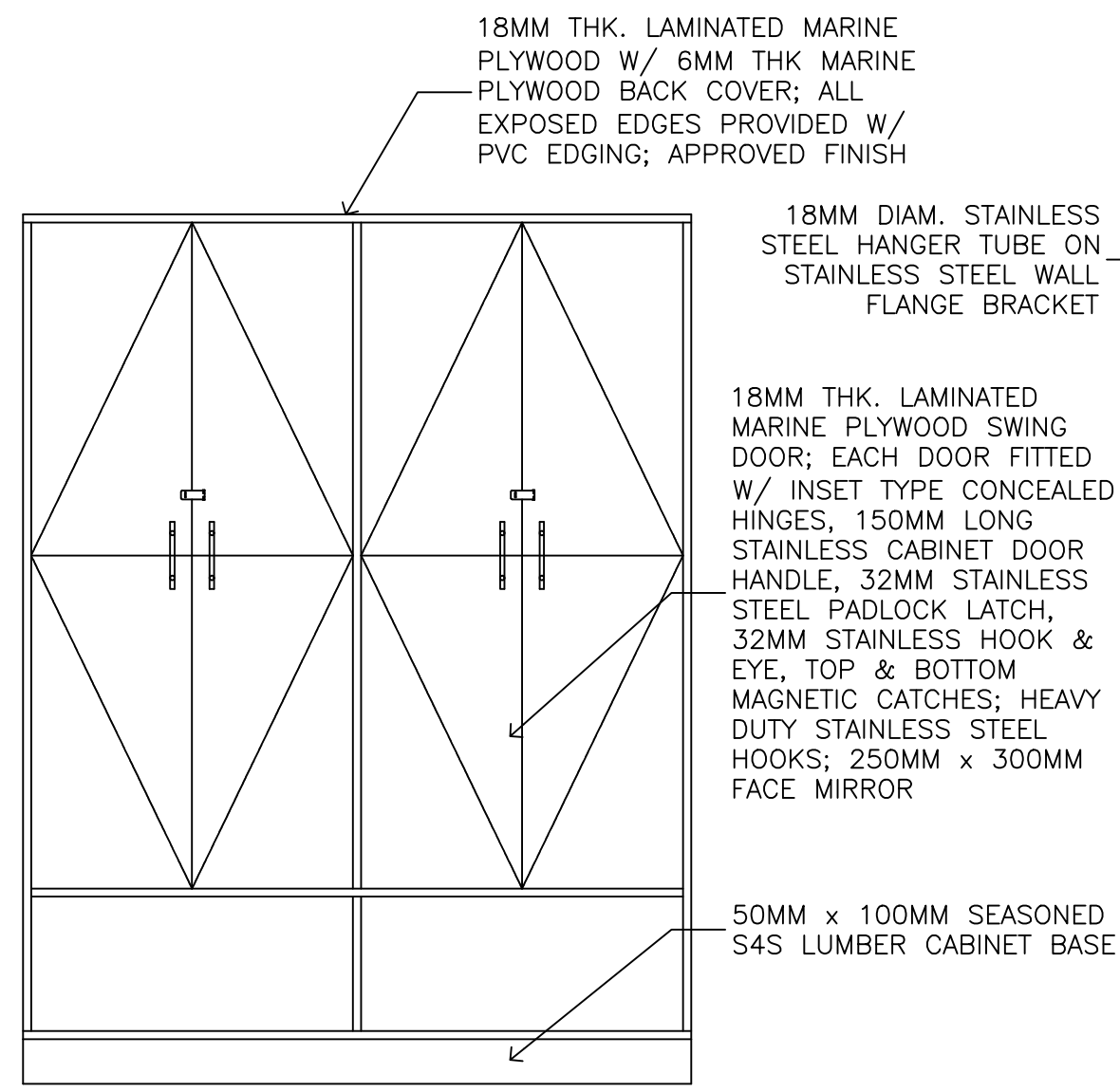
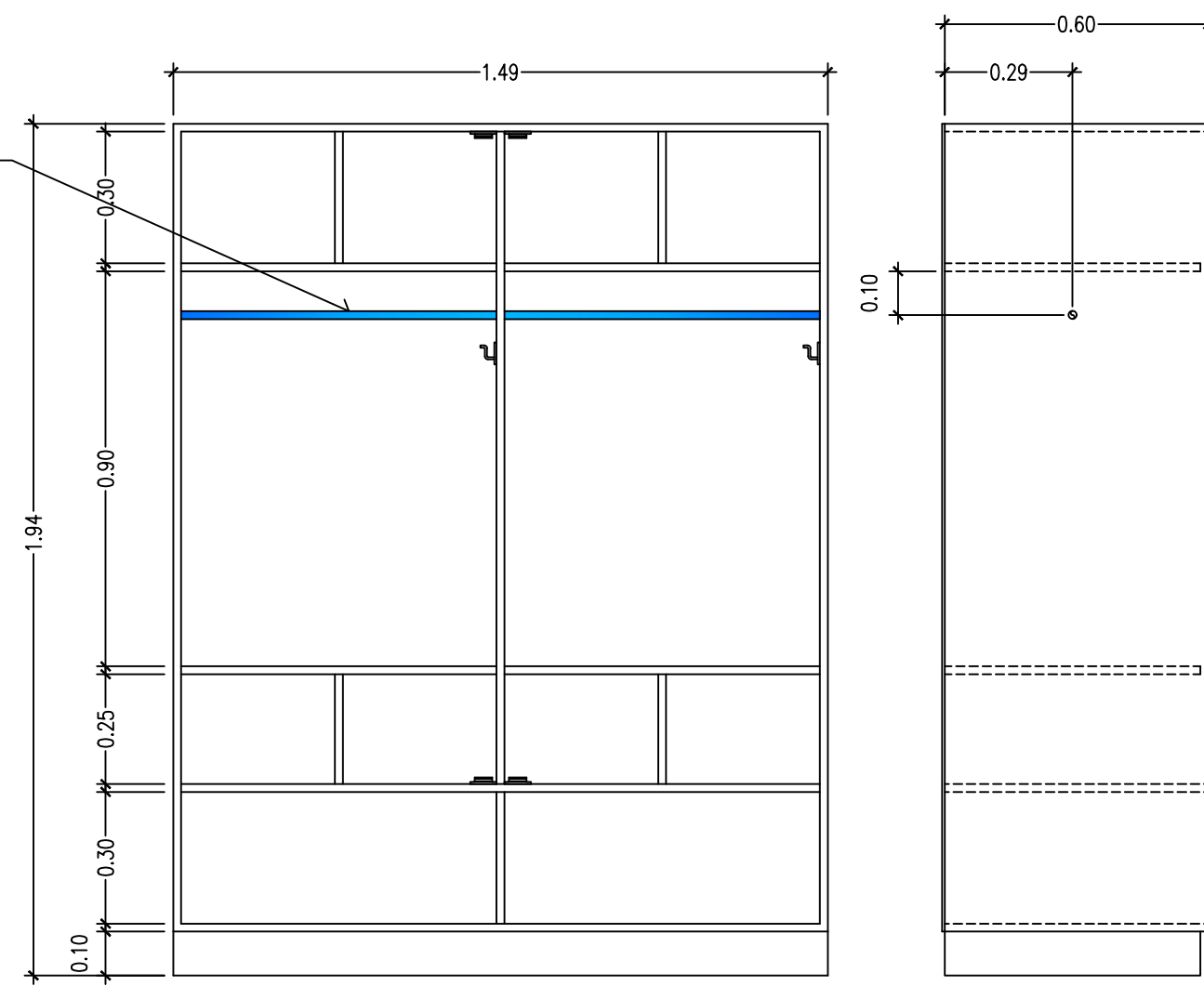


FRONT VIEW

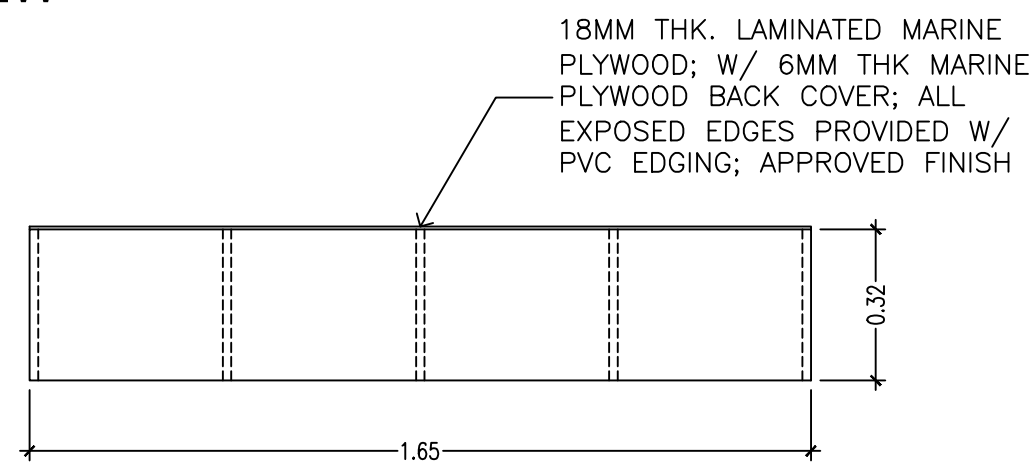


SIDE VIEW

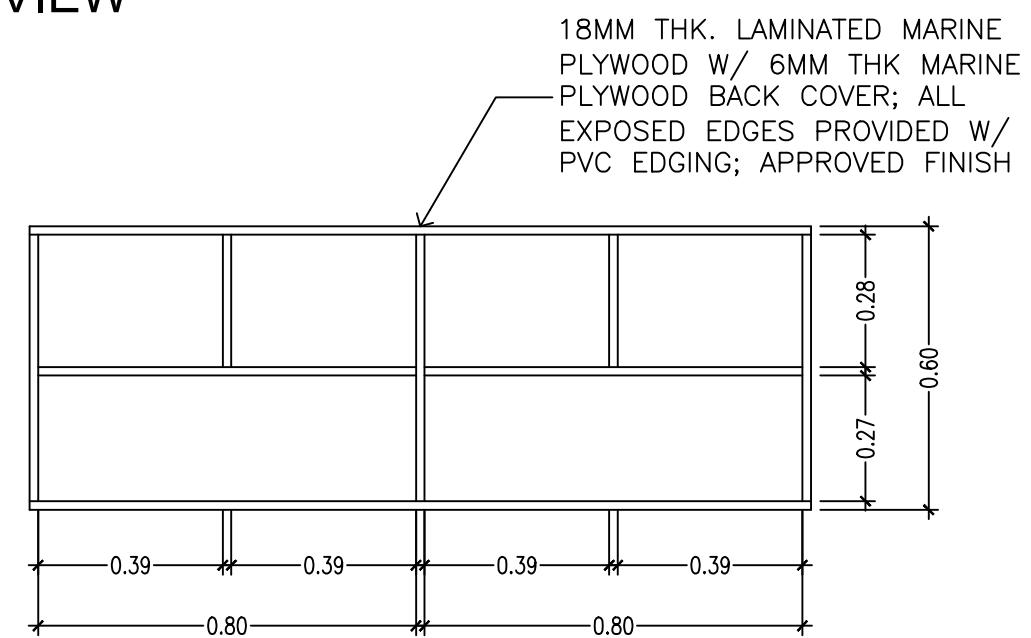


1 FABRICATION OF ROOM CABINET
DRAWN NOT TO SCALE

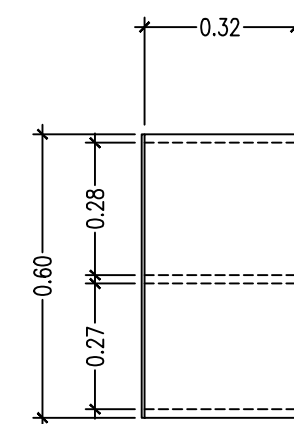
TOP VIEW



FRONT VIEW



SIDE VIEW



2 FABRICATION OF HANGING SHELVES
DRAWN NOT TO SCALE

FOR BIDDING

PROFESSIONAL	PROJECT/LOCATION	OWNER	APPROVED BY:	REVISION	SHEET CONTENTS	SCALE AS-SHOWN	SHEET
ARCHITECT/ENGINEER	REHABILITATION OF SCHOOL BUILDINGS	Department of Science and Technology PHILIPPINE SCIENCE HIGH SCHOOL MAIN CAMPUS	LAWRENCE V. MADRIAGA, PhD Director, PSHS – MAIN CAMPUS	DATE 20190510	ROOM CABINET DESIGN FOR BRHA-1 & BRHA-2 HANGING SHELVES DESIGN FOR BRHA-1 & BRHA-2		6
PRC NO.:	PTR:	Agham Road, Diliman, Quezon City			DRAWN	DESIGNED	A
VALID UNTIL:	DATE/PLACE:				CHECKED	DATE 10MAY2019	
					THESE DRAWINGS ARE INSTRUMENTS OF PROFESSIONAL ARCHITECTURAL SERVICE AND ARE NOT TO BE REPRODUCED OR USED EXCEPT BY WRITTEN AGREEMENT WITH THE ARCHITECT. (R.A. 9266)		