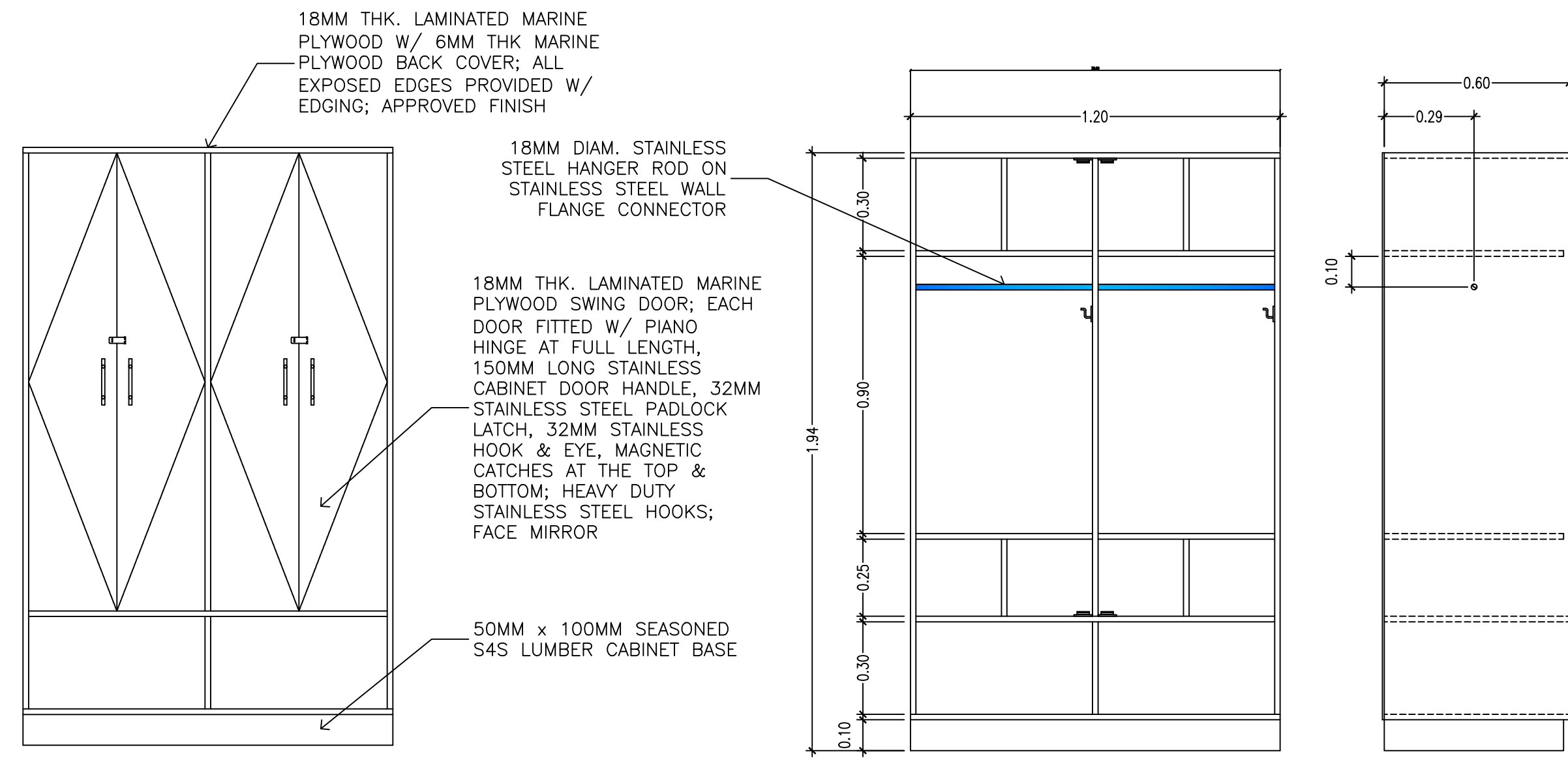


**FRONT VIEW**

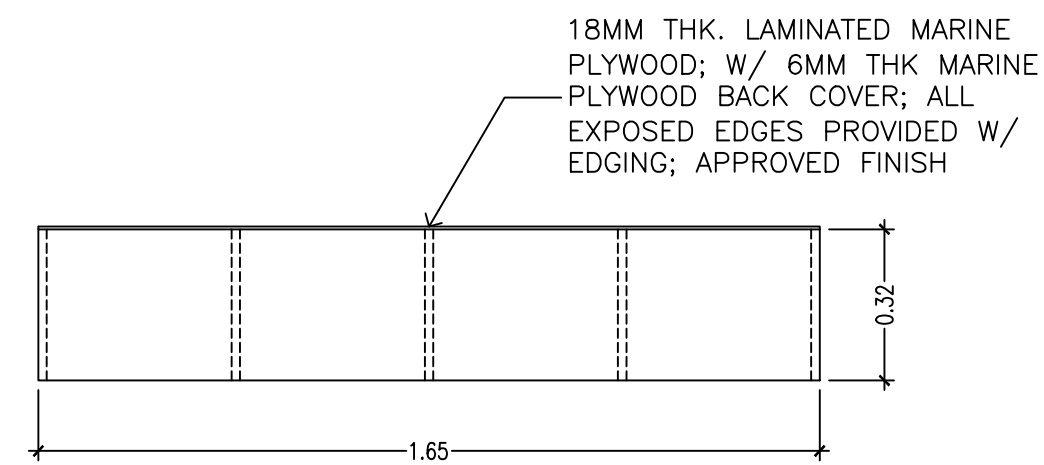
**SIDE VIEW**



**1 FABRICATION OF ROOM CABINET**

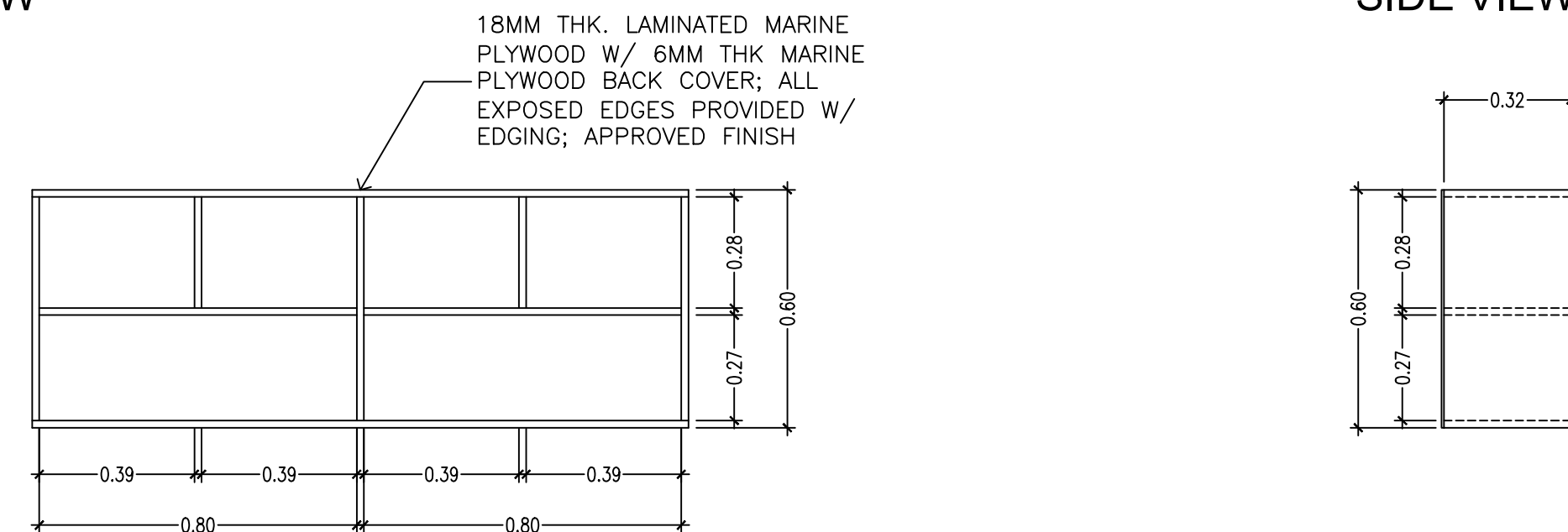
DRAWN NOT TO SCALE

**TOP VIEW**



**FRONT VIEW**

**SIDE VIEW**



**2 FABRICATION OF HANGING SHELVES**

DRAWN NOT TO SCALE

<b>FOR BIDDING</b>		SHEET CONTENTS	SCALE AS-SHOWN	SHEET
		ROOM CABINET DESIGN FOR GRHM		4
		HANGING SHELVES DESIGN FOR GRHM		<b>A</b> 27
DRAWN	DESIGNED	THESE DRAWINGS ARE INSTRUMENTS OF PROFESSIONAL ARCHITECTURAL SERVICE AND ARE NOT TO BE REPRODUCED OR USED EXCEPT BY WRITTEN AGREEMENT WITH THE ARCHITECT. (R.A. 9266)		
CHECKED	DATE 10MAY2019			

PROFESSIONAL	PROJECT/LOCATION	OWNER	APPROVED BY:	REVISION	DATE	SHEET CONTENTS	SCALE AS-SHOWN	SHEET
ARCHITECT/ENGINEER	REHABILITATION OF SCHOOL BUILDINGS	Department of Science and Technology PHILIPPINE SCIENCE HIGH SCHOOL MAIN CAMPUS	LAWRENCE V. MADRIAGA, PhD Director, PSHS – MAIN CAMPUS	ORIGINAL	20190510	ROOM CABINET DESIGN FOR GRHM HANGING SHELVES DESIGN FOR GRHM		4
PRC NO.:	PTR:	Agham Road, Diliman, Quezon City				DRAWN	DESIGNED	
VALID UNTIL:	DATE/PLACE:					CHECKED	DATE 10MAY2019	