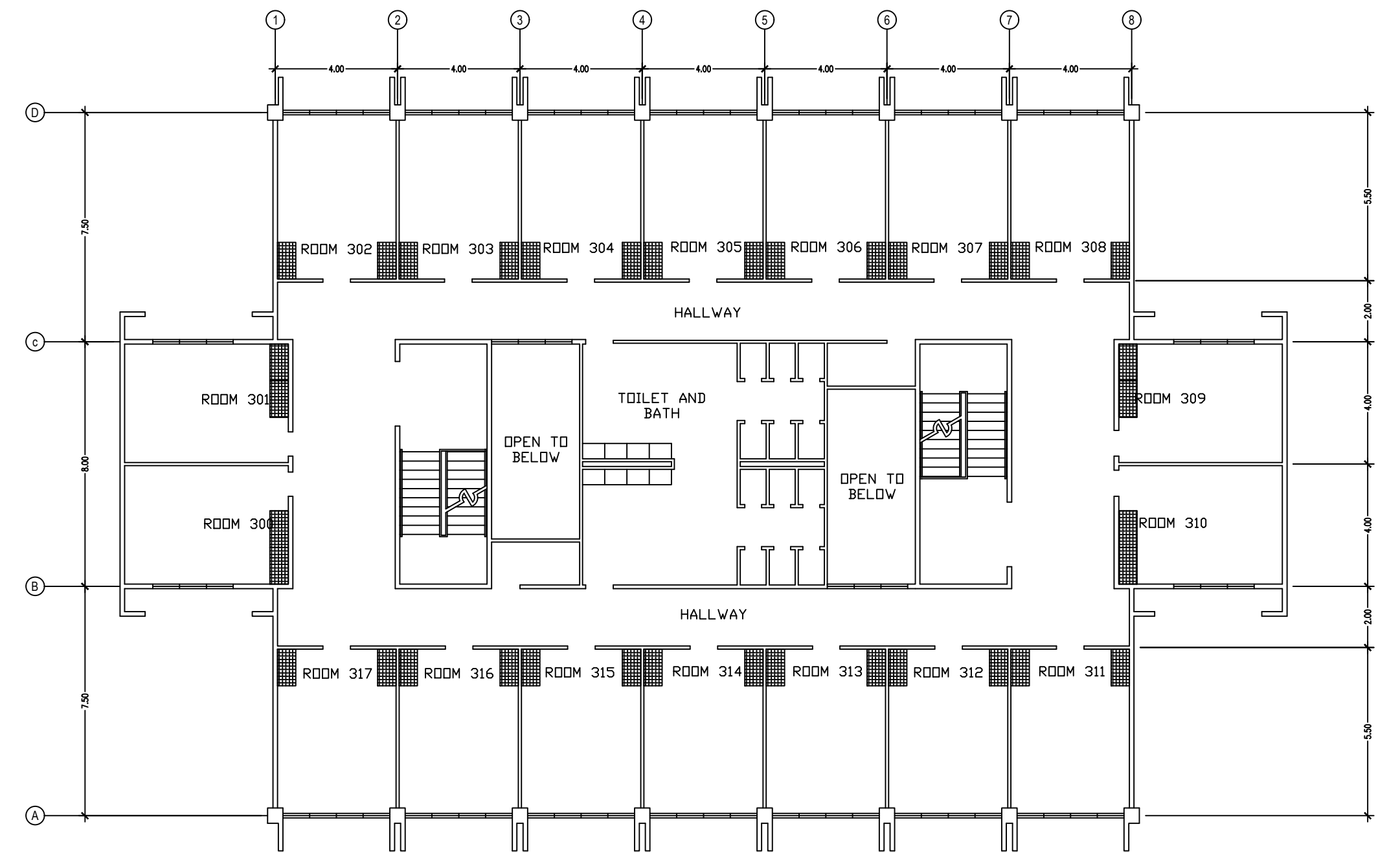


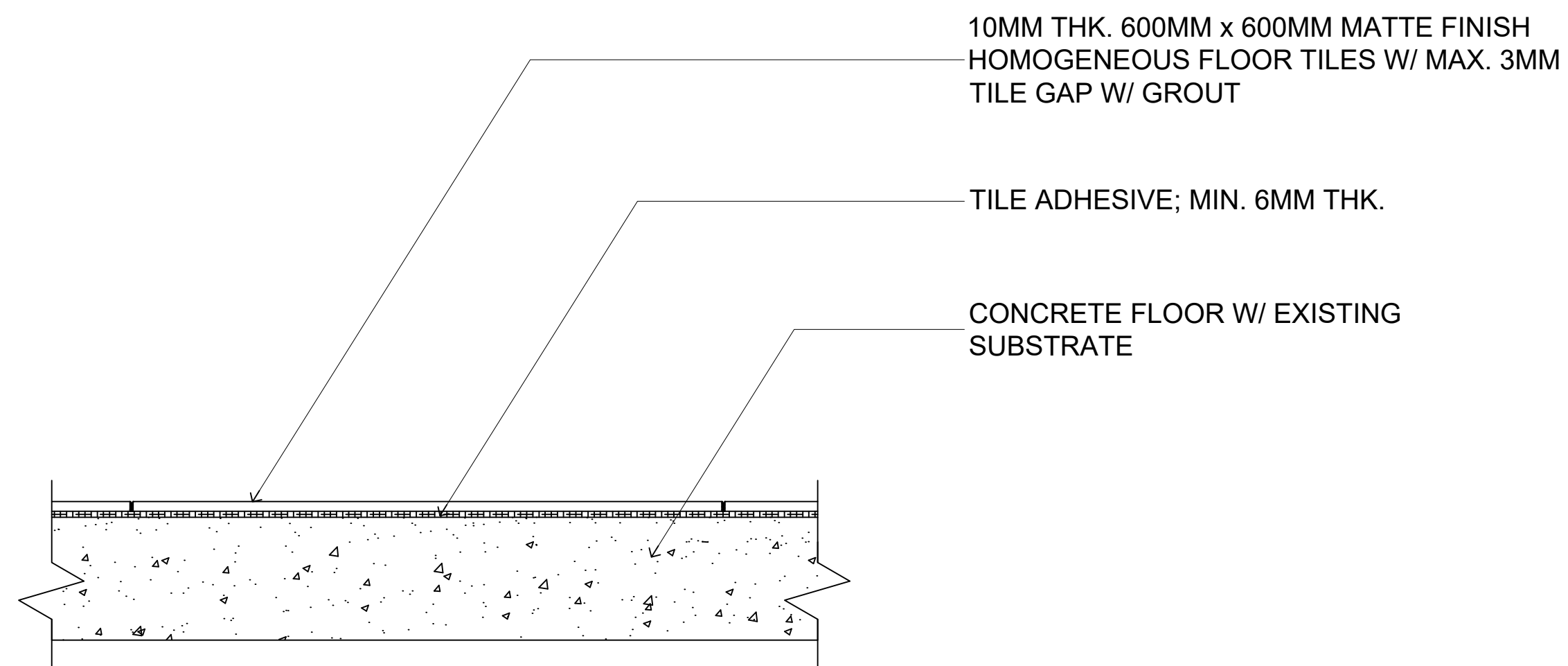


GRHM 2ND FLOOR

1 REPLACEMENT OF FLOOR TILES
SCALE



GRHM 3RD FLOOR



SECTION DETAILS

FOR BIDDING	
SHEET CONTENTS	SCALE AS SHOWN
GIRLS' RESIDENCE HALL MAIN BUILDING 1ST, 2ND & 3RD FLOOR LAYOUT	
DRAWN CHECKED	DESIGNED DATE 10MAY2019
<small>THESE DRAWINGS ARE INSTRUMENTS OF PROFESSIONAL ARCHITECTURAL SERVICE AND ARE NOT TO BE REPRODUCED OR USED EXCEPT BY WRITTEN AGREEMENT WITH THE ARCHITECT. (R.A. 9266)</small>	

PROFESSIONAL	PROJECT/LOCATION	OWNER	APPROVED BY:	REVISION	SHEET CONTENTS	SCALE AS SHOWN	SHEET
ARCHITECT/ENGINEER	REHABILITATION OF SCHOOL BUILDINGS	Department of Science and Technology PHILIPPINE SCIENCE HIGH SCHOOL MAIN CAMPUS	LAWRENCE V. MADRIAGA, PhD Director, PSHS – MAIN CAMPUS	DATE 20190510	GIRLS' RESIDENCE HALL MAIN BUILDING 1ST, 2ND & 3RD FLOOR LAYOUT		3
PRC NO.:	PTR:	Agham Road, Diliman, Quezon City			DRAWN	DESIGNED	A 27
VALID UNTIL:	DATE/PLACE:				CHECKED	DATE 10MAY2019	