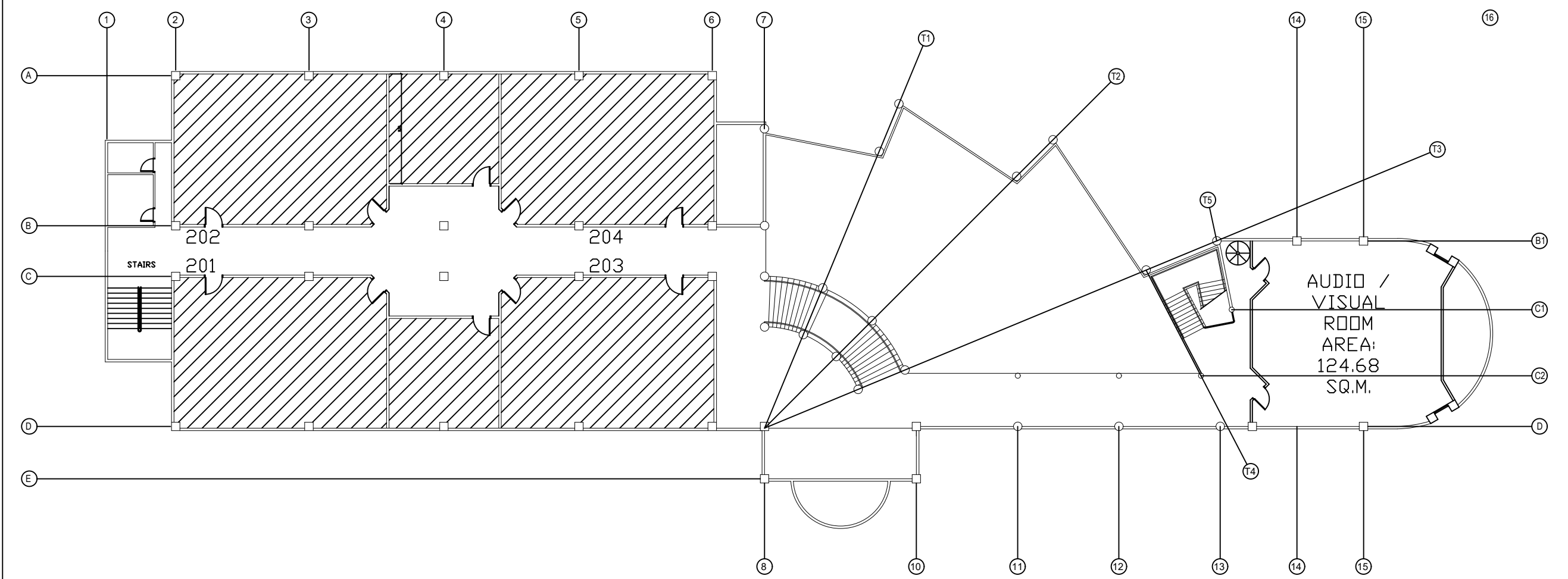
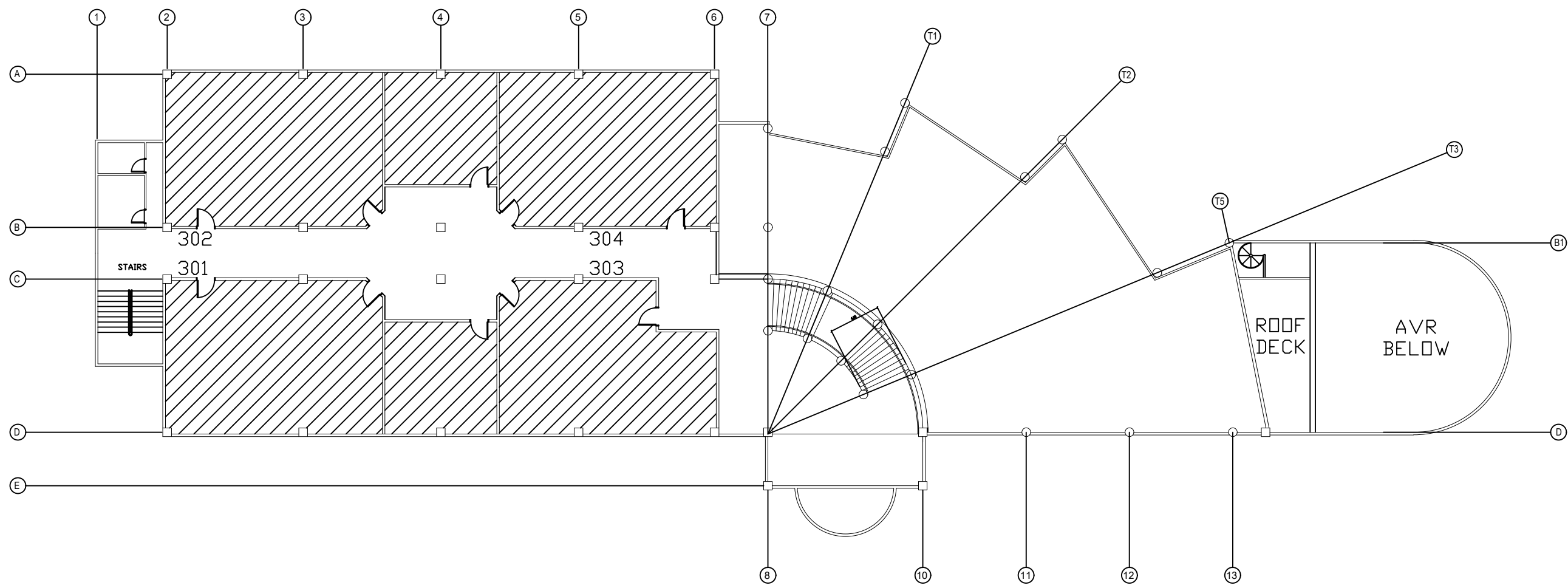


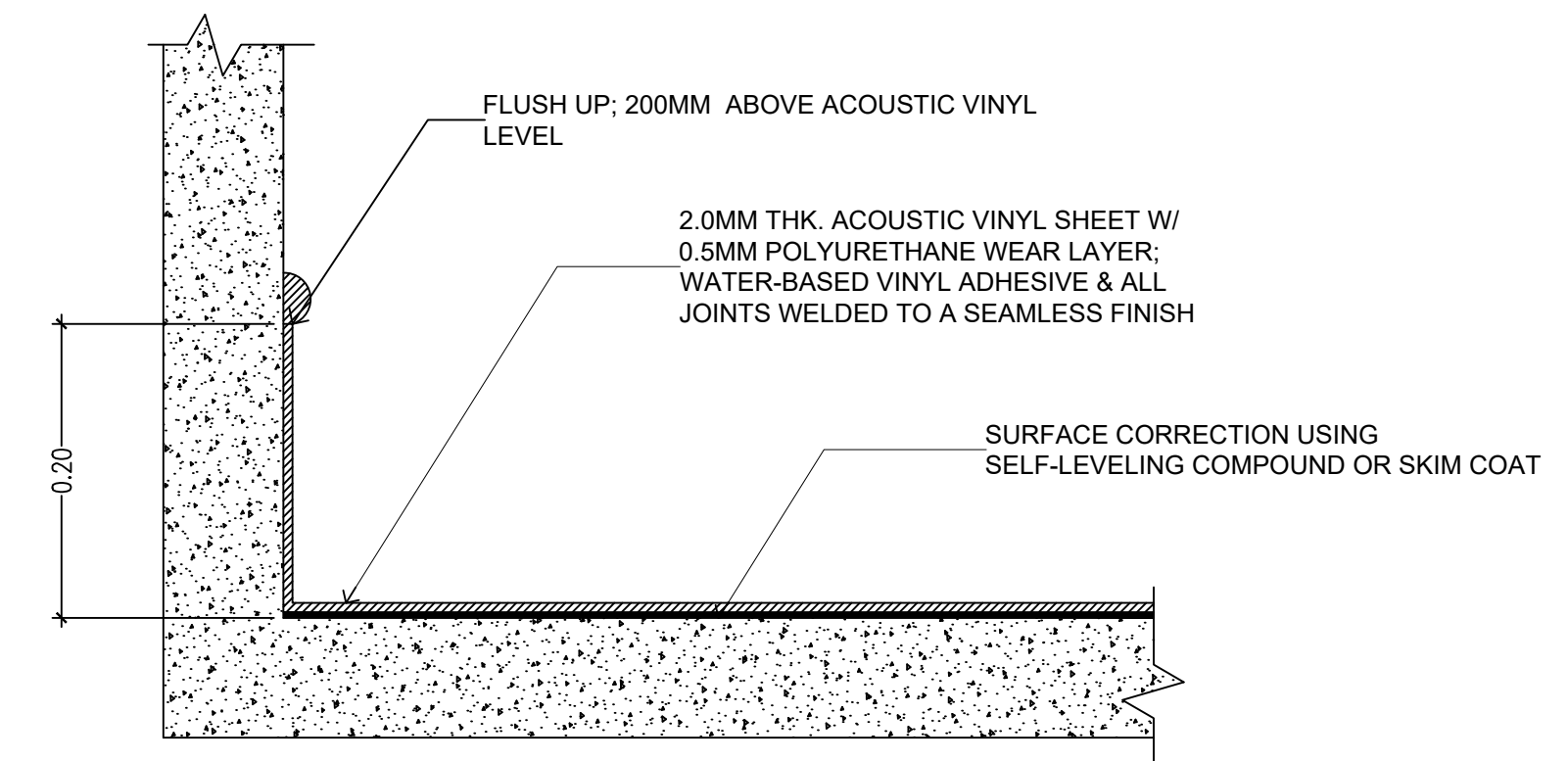
ASTB 1ST FLOOR



ASTB 2ND FLOOR



ASTB 3RD FLOOR



SECTION DETAILS

1 REPLACEMENT OF VINYL FLOOR TILES  
SCALE

FOR BIDDING

PROFESSIONAL	PROJECT/LOCATION	OWNER	APPROVED BY:	REVISION	SHEET CONTENTS	SCALE AS SHOWN	SHEET
ARCHITECT/ENGINEER	REHABILITATION OF SCHOOL BUILDINGS	Department of Science and Technology PHILIPPINE SCIENCE HIGH SCHOOL MAIN CAMPUS	LAWRENCE V. MADRIAGA, PhD	DATE 20190510	ADVANCE SCIENCE TECHNOLOGY BUILDING 1ST, 2ND & 3RD FLOOR LAYOUT		21
PRC NO.: VALID UNTIL:	PTR: DATE/PLACE:	Agham Road, Diliman, Quezon City	Director, PSHS – MAIN CAMPUS		DRAWN CHECKED	DESIGNED DATE 10MAY2019	27
					THESE DRAWINGS ARE INSTRUMENTS OF PROFESSIONAL ARCHITECTURAL SERVICE AND ARE NOT TO BE REPRODUCED OR USED EXCEPT BY WRITTEN AGREEMENT WITH THE ARCHITECT. (R.A. 9266)		