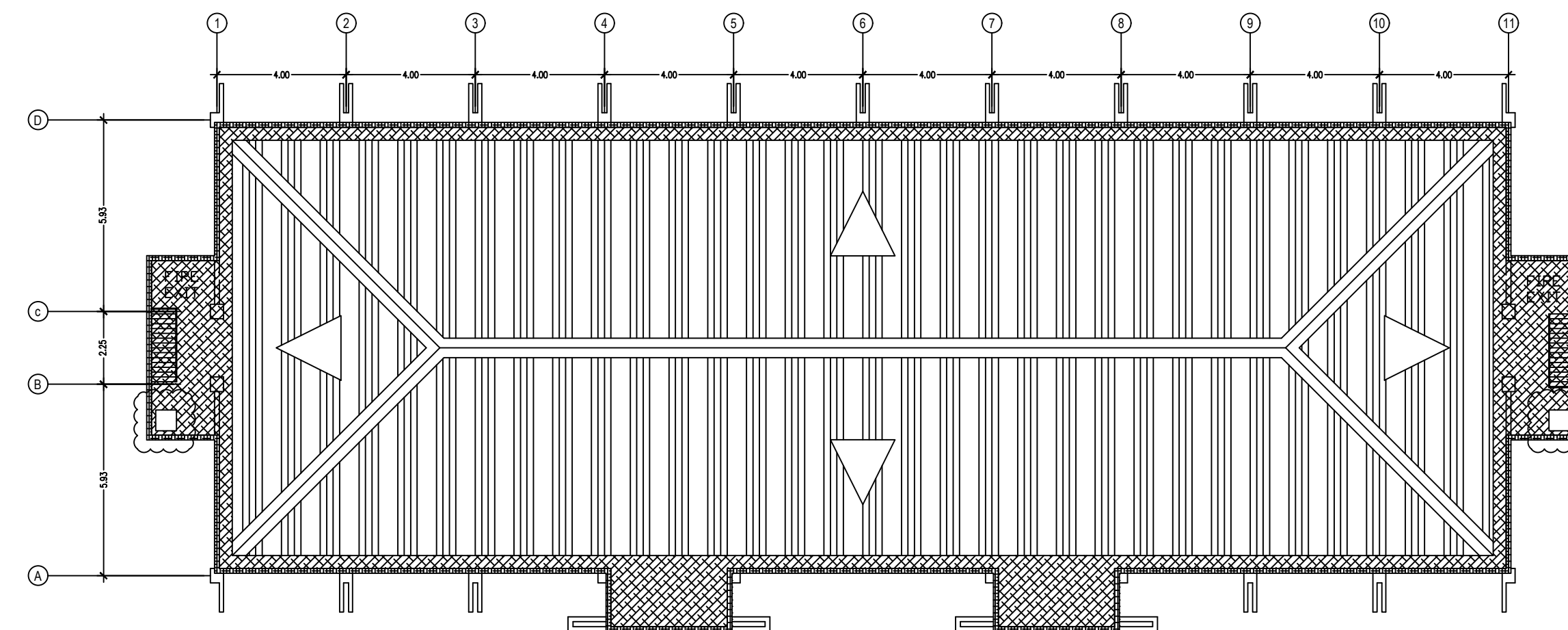
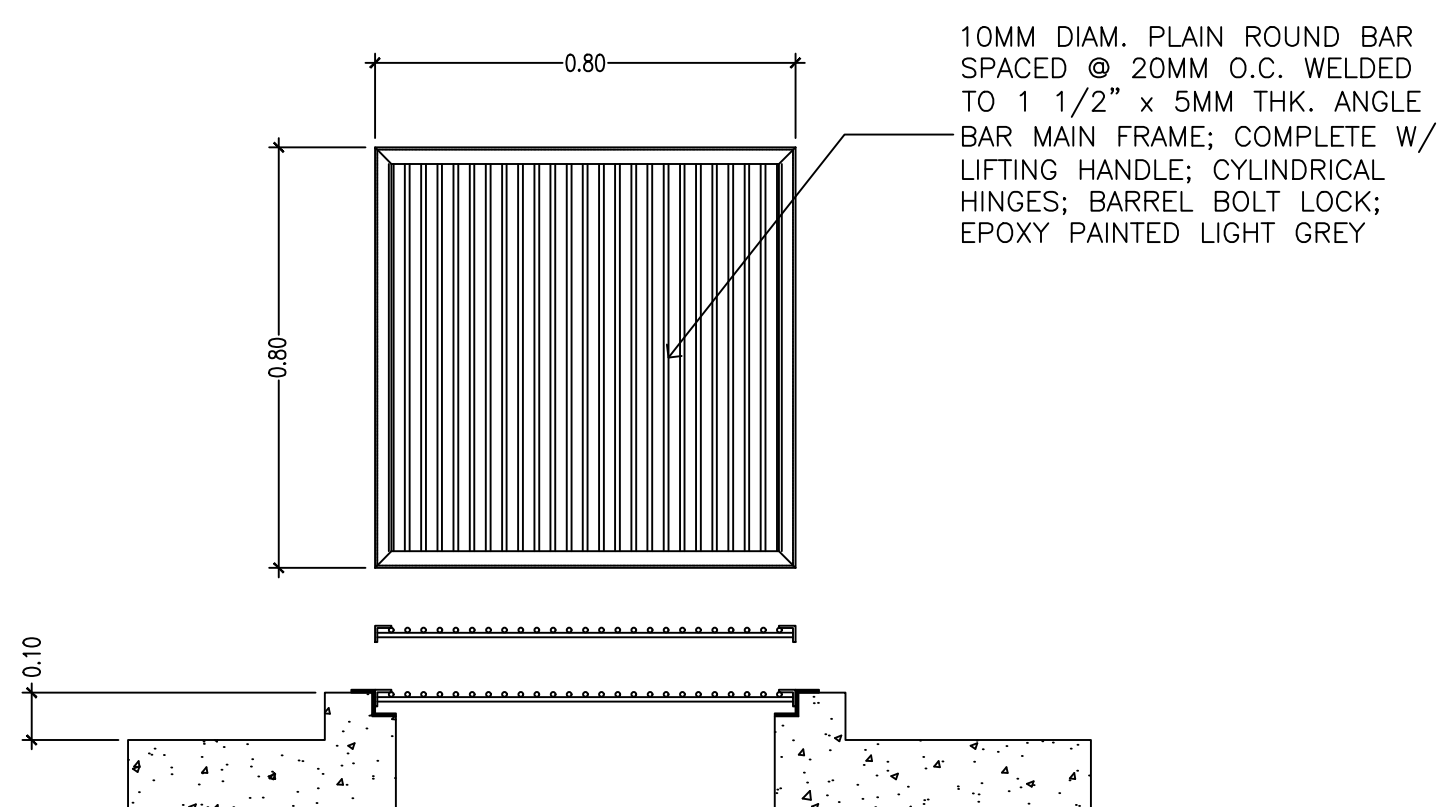


BRHA-1 2ND FLOOR

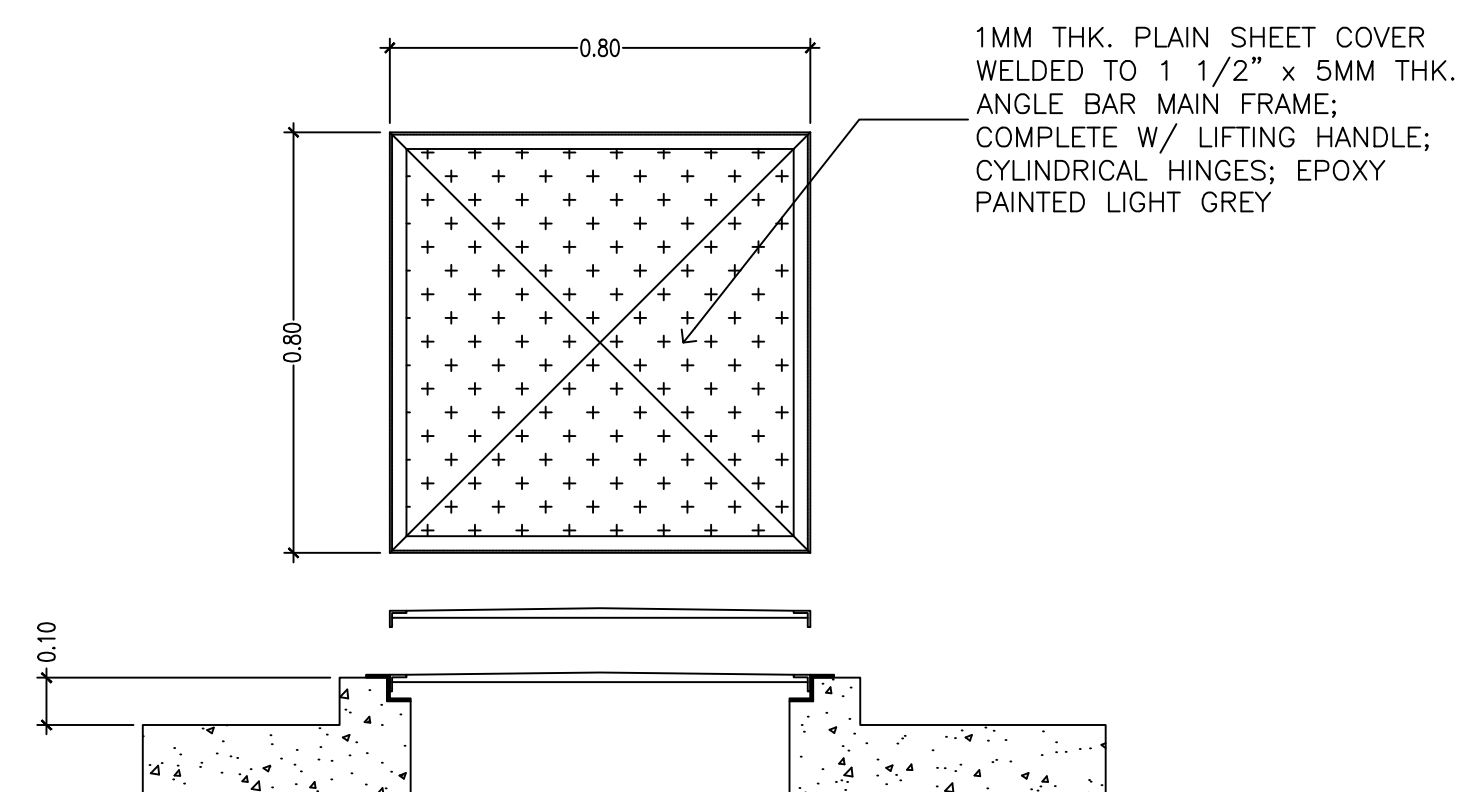


BRHA-1 ROOF LEVEL

1 INSTALLATION OF ACCESS DOORS
SCALE



FLOOR ACCESS DETAILS



ROOF ACCESS DETAILS

FOR BIDDING

PROFESSIONAL	PROJECT/LOCATION	OWNER	APPROVED BY:	REVISION	SHEET CONTENTS	SCALE AS_SHOWN	SHEET
ARCHITECT/ENGINEER	REHABILITATION OF SCHOOL BUILDINGS	Department of Science and Technology PHILIPPINE SCIENCE HIGH SCHOOL MAIN CAMPUS	LAWRENCE V. MADRIAGA, PhD Director, PSHS – MAIN CAMPUS	DATE 20190510	BOYS' RESIDENCE HALL ANNEX 1 BUILDING 2ND & ROOF LEVEL LAYOUT		12
PRC NO.:	PTR:				DRAWN	DESIGNED	A
VALID UNTIL:	DATE/PLACE:				CHECKED	DATE 10MAY2019	

THESE DRAWINGS ARE INSTRUMENTS OF PROFESSIONAL ARCHITECTURAL SERVICE AND ARE NOT TO BE REPRODUCED OR USED EXCEPT BY WRITTEN AGREEMENT WITH THE ARCHITECT. (R.A. 9266)