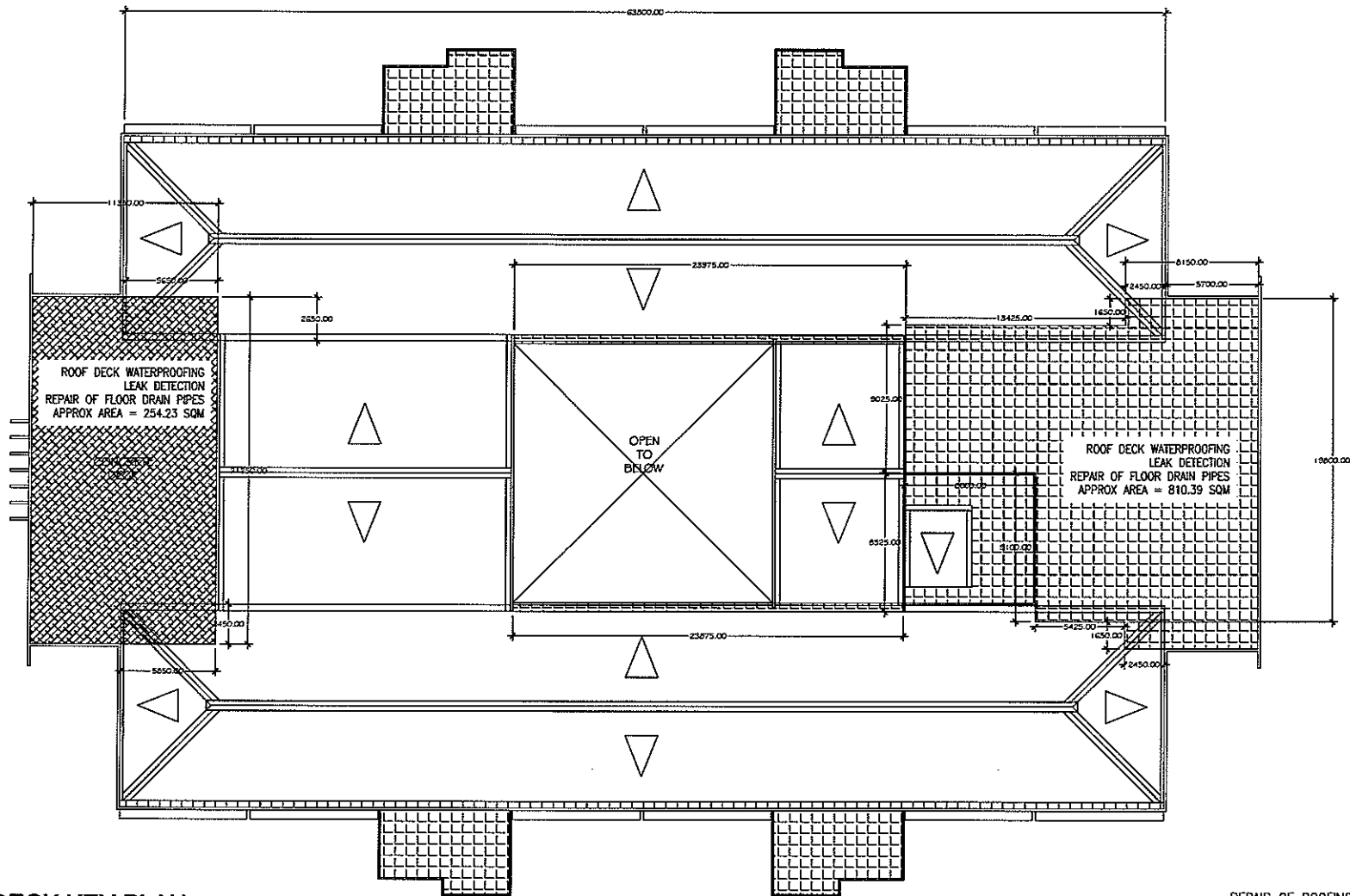


1 3RD FLOOR KEY PLAN  
SCALE 1:150 M

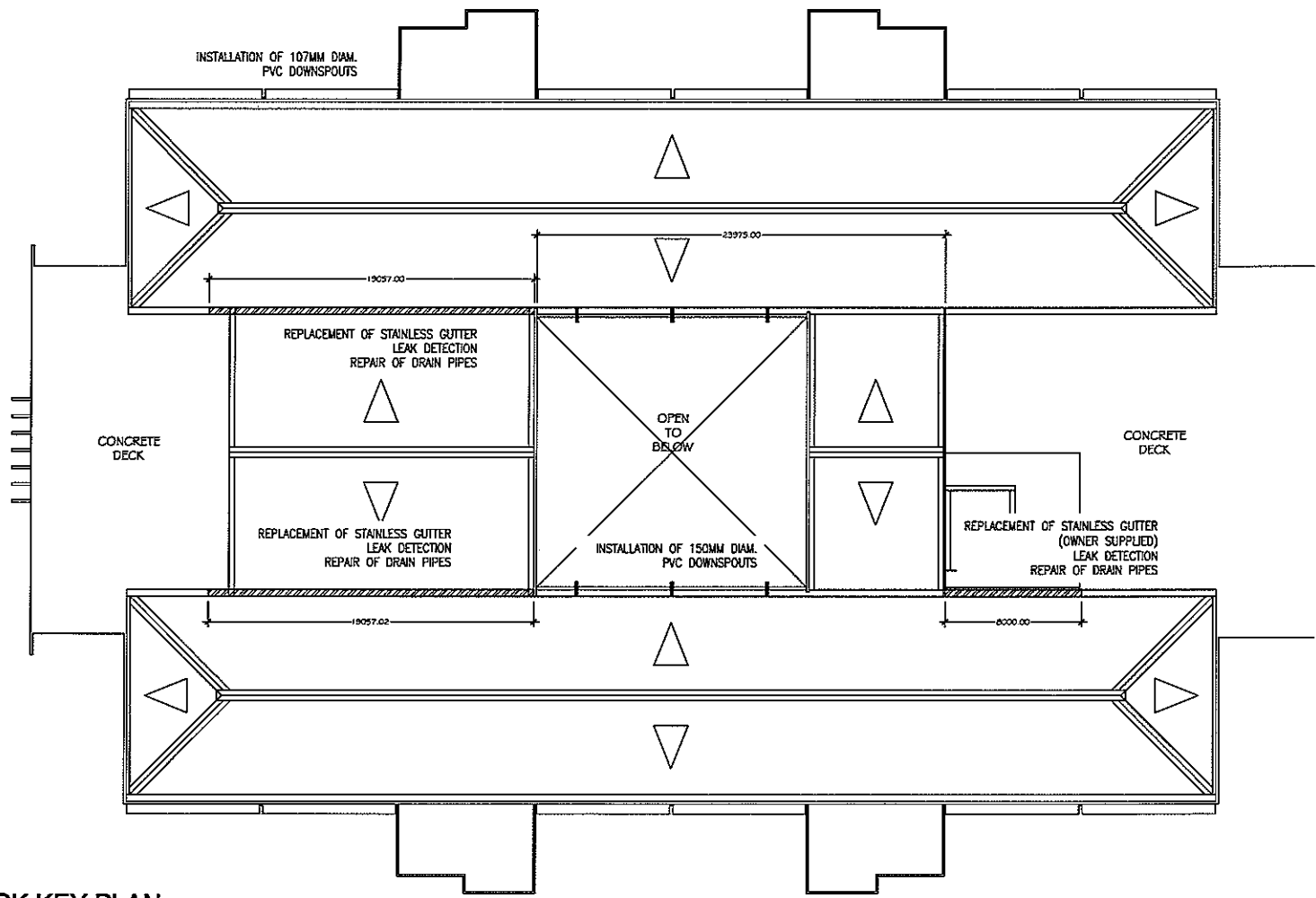
	ARCHITECT	PROJECT/LOCATION	OWNER	REVISION	SHEET CONTENTS	SCALE 150 M/S	SHEET
				SCHEME 1			
		REHABILITATION OF ACADEMIC BUILDINGS	Department of Science and Technology PHILIPPINE SCIENCE HIGH SCHOOL SYSTEM Agham Rd., Diliman, Quezon City		DRAWN: DDR CHECKED:	DESIGNED: DDR DATE: 04AUG2018	A 2 6
					NOTE: DRAWINGS ARE INSTRUMENTS OF PROFESSIONAL ARCHITECTURAL SERVICE AND ARE NOT TO BE REPRODUCED OR USED EXCEPT BY THE CLIENT IN CONNECTION WITH THE PROJECT. (R.A. 9298)		



**1 ROOF DECK KEY PLAN**  
 A-2/A-2 SCALE 1:150 M

REPAIR OF ROOFING AND WATERPROOFING  
 SCIENCE-HUMANITIES BUILDING  
 SCALE 1: 150 MTS

ARCHITECT	PROJECT/LOCATION	OWNER	REVISION		SHEET CONTENTS	SCALE 1:50 MTS	SHEET
			DATE	DATE			
	<b>REHABILITATION OF ACADEMIC BUILDINGS</b>	Department of Science and Technology <b>PHILIPPINE SCIENCE HIGH SCHOOL SYSTEM</b> Agham Rd., Diliman, Quezon City	SCHEME 1	20180804	KEY PLAN FOR REPAIR WORKS		3
					DRAWN: DOR DESIGNED: DOR CHECKED: T DATE: 04AUG2018	NOTE: DRAWING IS A REPRESENTATION OF PROFESSIONAL, INDUSTRIAL, SERVICE AND NOT TO BE REPRODUCED OR USED WITHOUT THE WRITTEN AGREEMENT WITH THE ARCHITECT. (P.A. 2008)	A 6

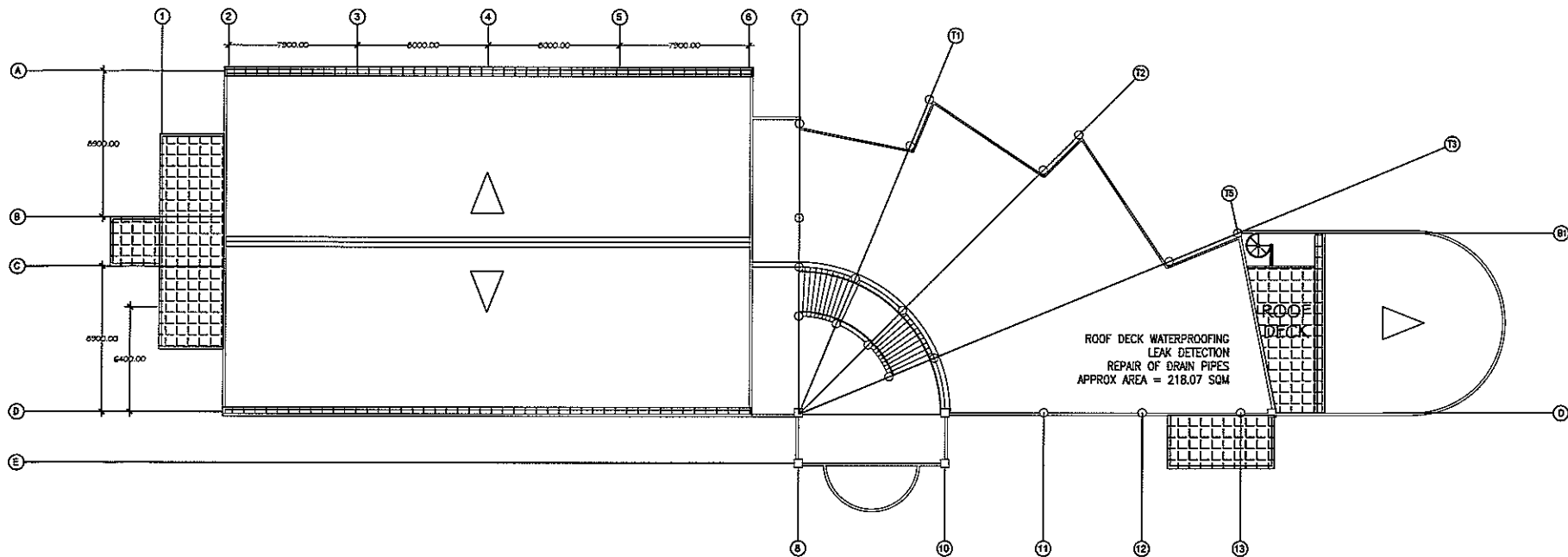


**1** ROOF DECK KEY PLAN  
 A-2/A-3 SCALE 1:150 M

ARCHITECT	PROJECT/LOCATION	OWNER	REVISION		SHEET CONTENTS	SCALE 1:50 MTS	SHEET
			SCHEME 1	DATE 120180804			
	REHABILITATION OF ACADEMIC BUILDINGS	Department of Science and Technology PHILIPPINE SCIENCE HIGH SCHOOL SYSTEM Agham Rd., Dikman, Quezon City			DESIGNED	DATE 04AUG2018	6
				CHECKED			

**A**

4  
6

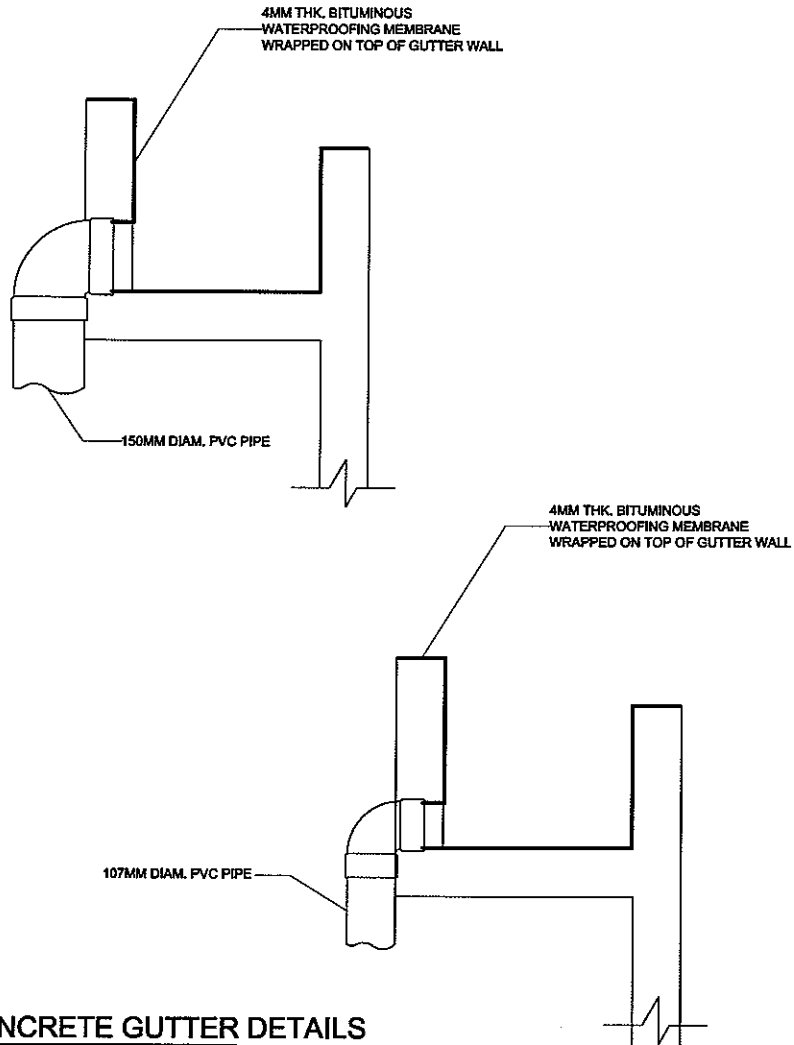


**1** ASTB ROOF DECK KEY PLAN  
 SCALE 1:150 M

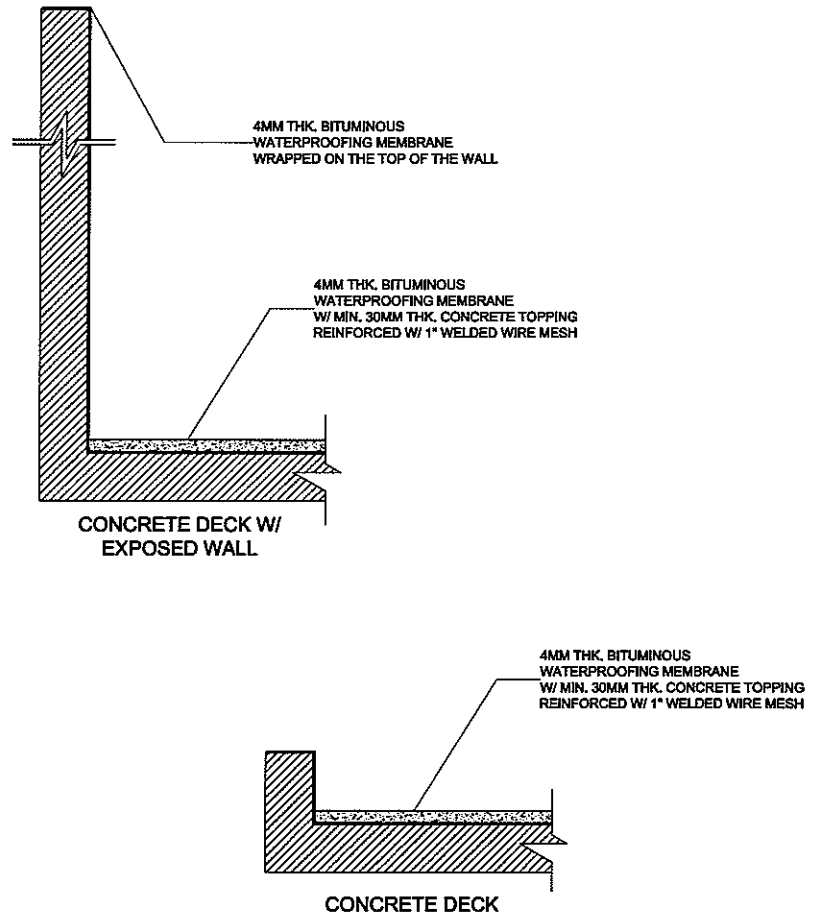
REPAIR OF ROOFING AND WATERPROOFING  
 ADVANCE SCIENCE TECHNOLOGY BUILDING

ARCHITECT	PROJECT/LOCATION	OWNER	REVISION	SHEET CONTENTS	SCALE	SHEET
	<b>REHABILITATION OF ACADEMIC BUILDINGS</b>	Department of Science and Technology <b>PHILIPPINE SCIENCE HIGH SCHOOL SYSTEM</b> Agham Rd., Diliman, Quezon City	SCHEME 1	KEY PLAN FOR REPAIR WORKS	150 MTS	5
				DATE: 20180804		6
				DESIGNED: DDR		<b>A</b>
				CHECKED: DATE: 04AUG2018		

THIS DRAWING IS THE PROPERTY OF PROFESSIONAL ARCHITECTURAL OFFICE AND WILL NOT BE REPRODUCED OR USED IN ANY MANNER WITHOUT AGREEMENT WITH THE ARCHITECT. (S.A. 1994)



1 CONCRETE GUTTER DETAILS  
A-2 | A-2 SCALE



1 CONCRETE DECK DETAILS  
A-2 | A-2 SCALE

		ARCHITECT	PROJECT LOCATION	OWNER	REVISION	SHEET CONTENTS	SHEET
			REHABILITATION OF ACADEMIC BUILDINGS	Department of Science and Technology PHILIPPINE SCIENCE HIGH SCHOOL SYSTEM Agham Rd., Diliman, Quezon City	SCHEME 1	DATE 20180804	DETAILS OF INSTALLATIONS
						DRAWN: DDR DESIGNED: DDR CHECKED: DATE: 04AUG2018	A 6